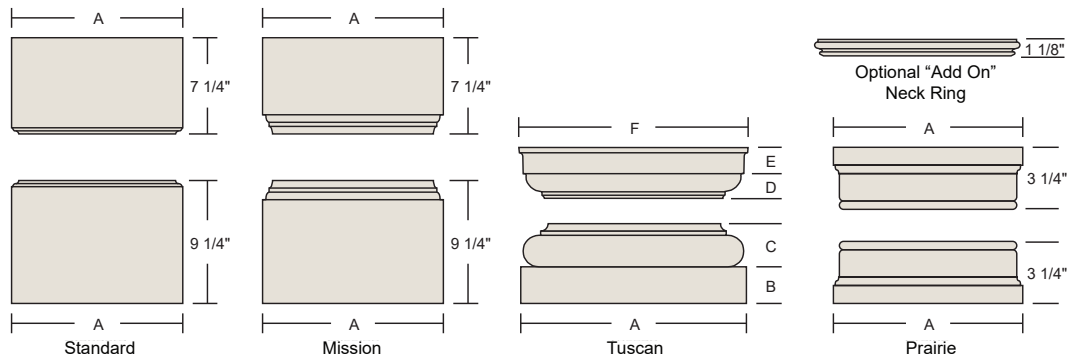


PVC CRAFTSMAN NON-TAPERED CAP AND BASE STYLES

The cap and base sets for non-tapered Craftsman Series columns consist of a mitered wrap or a molding. The optional neck trim is also a molding, applied by the installer. These wraps and/or moldings do not have the E-Z Lock joint, due to the routed edges of the parts.

Custom Mission, Prairie and Crown styles are available. These styles allow customers more freedom of choice when designing their columns, and may be mixed and matched as desired. Custom options may be possible as well, based on customer requirements. As with any column, if the column is open at the top, flashing must be used to prevent water and debris from getting inside the column.

For columns of non-standard size, the widths of the cap and base will adjusted accordingly. The heights however will remain the same. Since the non-tapered cap and base install around the shaft, the inside size of the cap will be the same as the outside net width of the column. When considering the space requirements to wrap the load support, the inside width of the column shaft is the specification which would be applicable.



Column nominal width	Standard cap & base width (A)	Mission cap & base width (A)	Tuscan cap & base								Prairie cap & base width (A)	Basic cap & base Height: 3 1/4" width (A)
			Base				Cap					
			Plinth width (A)	Plinth height (B)	Torus height (C)	Base height (B-C)	Echinus height (D)	Abacus height (E)	Cap height (D-E)	Abacus width (F)		
6"	6 7/8"	7 5/8"	8"	1 1/2"	1 3/4"	3 1/4"	1"	1 1/16"	2 1/32"	8 7/16"	8 1/8"	6 7/8"
8"	8 7/8"	9 5/8"	11 3/8"	1 7/8"	2 3/8"	4 1/4"	1 3/4"	2 3/8"	2 11/16"	11 1/4"	10 1/8"	8 7/8"
10"	10 7/8"	11 5/8"	13 1/2"	2 3/8"	2 7/8"	5 1/4"	1 13/16"	1 3/4"	3 9/16"	13 1/4"	12 1/8"	10 7/8"
12"	12 7/8"	13 5/8"	17"	2 3/4"	3 1/4"	6"	1 7/8"	2"	3 7/8"	17 1/4"	14 1/8"	12 7/8"
14"	14 7/8"	15 5/8"	18 5/8"	3 3/8"	4"	7 3/8"	2 5/8"	2 3/8"	5"	19"	16 1/8"	14 7/8"
16"	16 7/8"	17 5/8"	20 5/8"	3 3/8"	4"	7 3/8"	2 5/8"	2 3/8"	5"	21"	18 1/8"	16 7/8"
18"	18 7/8"	19 5/8"	22 5/8"	3 3/8"	4"	7 3/8"	2 5/8"	2 3/8"	5"	23"	20 1/8"	18 7/8"
20"	20 7/8"	21 5/8"	24 5/8"	3 3/8"	4"	7 3/8"	2 5/8"	2 3/8"	5"	25"	22 1/8"	20 7/8"
22"	22 7/8"	23 5/8"	26 5/8"	3 3/8"	4"	7 3/8"	2 5/8"	2 3/8"	5"	27"	24 1/8"	22 7/8"
24"	24 7/8"	25 5/8"	28 5/8"	3 3/8"	4"	7 3/8"	2 5/8"	2 3/8"	5"	29"	26 1/8"	24 7/8"

*Since the cap/base wrap the column, we manufacture them based on inside widths. Due to fit tolerances and material thickness variances, net widths may be up to 1/8" larger than shown.